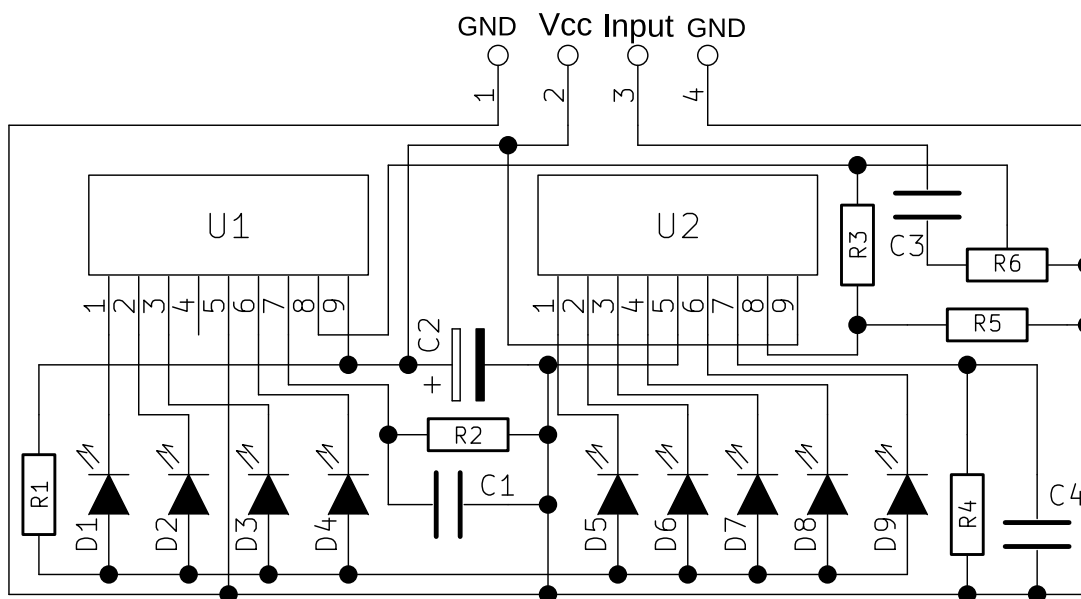


# K138

## LED VU meter audio level indicator

The device can be used to indicate tuner settings, line output signal level, output power indication, etc. The designer is a line of 9 LEDs with a logarithmic scale.

### Electric scheme



### Specifications:

Supply voltage, V.....6...12  
Nominal input voltage, V.....~0.7  
Displayed signal level  
-31dB -26dB -21dB -15dB -10dB -5dB 0dB 3dB 6dB.

### Description of the scheme

The signal level indication is displayed in a logarithmic scale, by LEDs D1-D9. The trimmer resistor R6 regulates the signal level at the input (U1, U2), which allows connecting the indicator both to the linear output of the source and to the output of the final power amplifier. Capacitors C1 and C4 act as smoothing capacitors for the input signal. By changing their value from zero to 4.7-10  $\mu\text{F}$ , you can get a signal display from peak to root mean square.