

K151 EN TDA2030 14W mono Amplifier

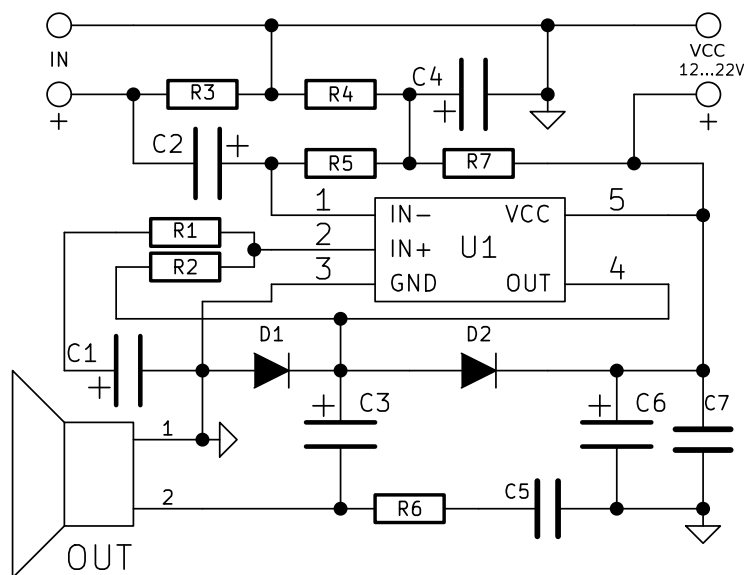
The kit includes:
 - assembled circuit board; manual.
 Store under normal climatic conditions
 Shelf life Unlimited

The Hi-Fi class ULF is made on the TDA2030 integrated circuit. This IC is a class AB ULF and is installed in audio devices to obtain a high-quality output music signal of medium power. The device will be useful both for repairing existing industrial audio equipment and for building homemade amplifiers and subwoofers.

Specifications

Supply voltage 12 - 44Vdc*
 Output power, max. 18W(4Ω/32V)
 Harmonic distortion <0.5%
 Board dimensions 26x53mm

Electrical circuit



*We recommend choosing a supply voltage of 12...22Vdc. To obtain more power, replace the standard radiator with a radiator with an effective area of >200 cm² and replace capacitor C6 with a capacitor for a higher voltage.