

# K216.2-3

## AC 220V SCR Voltage Regulator 3kW

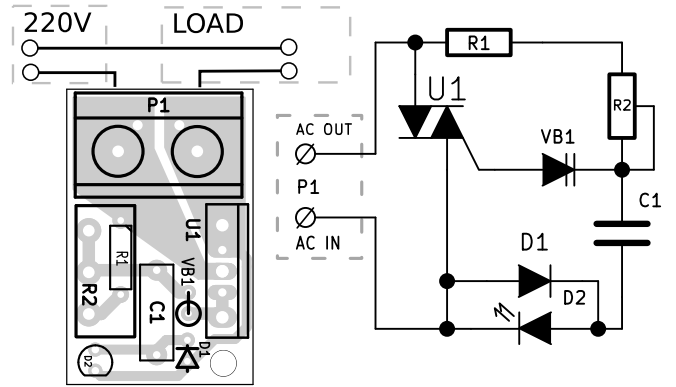
**EN** The kit includes:  
printed circuit board; components according to the list, instruction.  
Store under normal climatic conditions  
Shelf-life Unlimited

The kit is designed for the manufacture of a triac power regulator that will provide power up to 3 kW. The device can be used to regulate the power of heating, lighting devices, and AC collector motors.

### Specifications:

Operating voltage ..... 220VAC  
Maximum load current .....12A  
Overall dimensions ..... 23x36x25mm

### Element layout and electrical diagram



### Notes:

The triac must be installed on a radiator with a surface area of at least 350 cm<sup>2</sup>.  
The device is not galvanically isolated from the network! It is forbidden to touch the elements of the switched-on circuit!

U1(1kTr)	BTA12-600 or similar
R1	3.9...8 kOhm (0.25 W)
R2	500 kOhm (variable)
C1	0,1 μF metal film
D1	1N4007, 1N4148
D2	LED 3...5 mm
D3	DB3, DB4
P1	Terminal block 10A
PCB216.2	