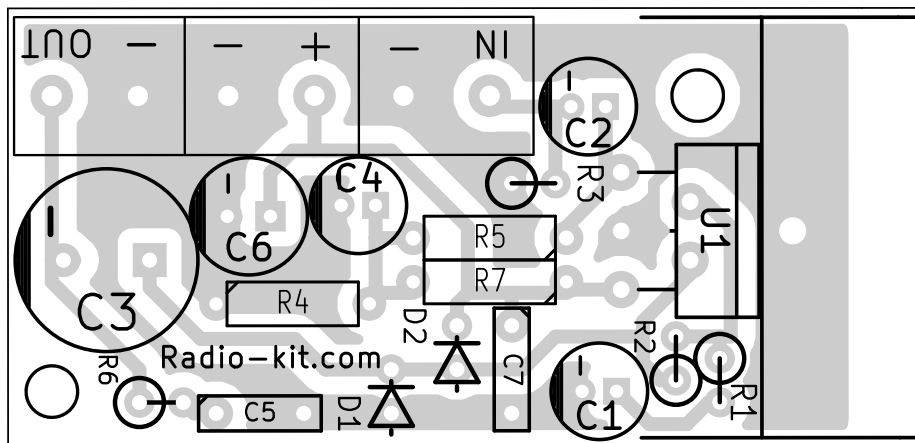


List of components

U1	TDA2030	C1,C4	22 - 33uFx25V
D1, D2	1N4007	C2	1 - 2.2uFx50V
R1	4.7 - 5.1 K	C3	2200uFx16V
R2	130 - 160 K	C5,C7	0.22-0.33uF
R3	20 - 24 K	C6	100 - 220uFx25V
R4,R5,R7	91 - 110 K	PCB	
R6	1 - 1.2 Om		

* All resistors are 0.25W

Layout of elements



*We recommend choosing a supply voltage of 12...22Vdc. To obtain more power, replace the standard radiator with a radiator with an effective area of >200 cm² and replace capacitor C6 with a capacitor for a higher voltage.