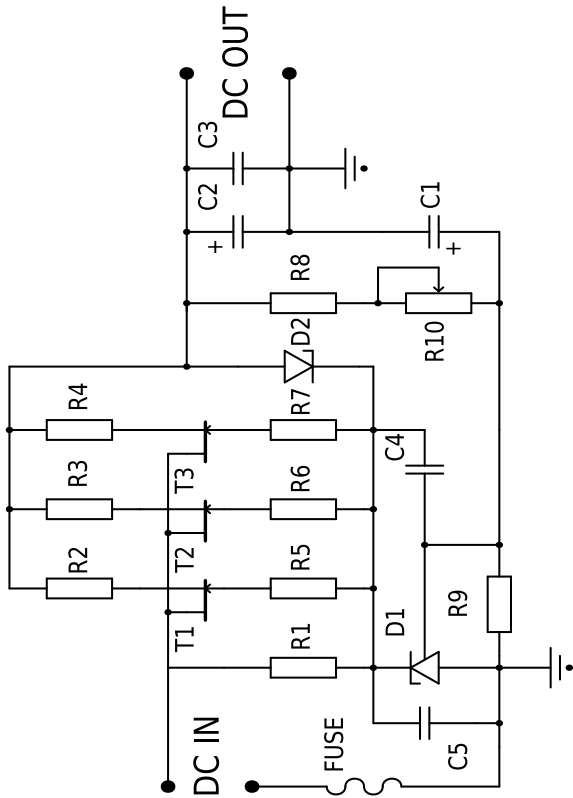


**5-27V/20A Adjustable Mospfet Voltage Regulator DIY KIT**

**The kit includes:**  
 printed circuit board; components according to the list, instruction.  
 Store under normal climatic conditions  
 Shelf-life Unlimited

In radio amateur practice, a power source that is easy to implement, small in size, and high in load capacity is often needed. This set will allow you to assemble an adjustable voltage stabilizer with a wide range of output voltage (5...27V) and an output current of up to 20 A



**Specifications**

Input voltage min, V.....	8
Input voltage max, V.....	30
Output voltage, V.....	5...27
Output current, A.....	to 20